

## EPB5036WG

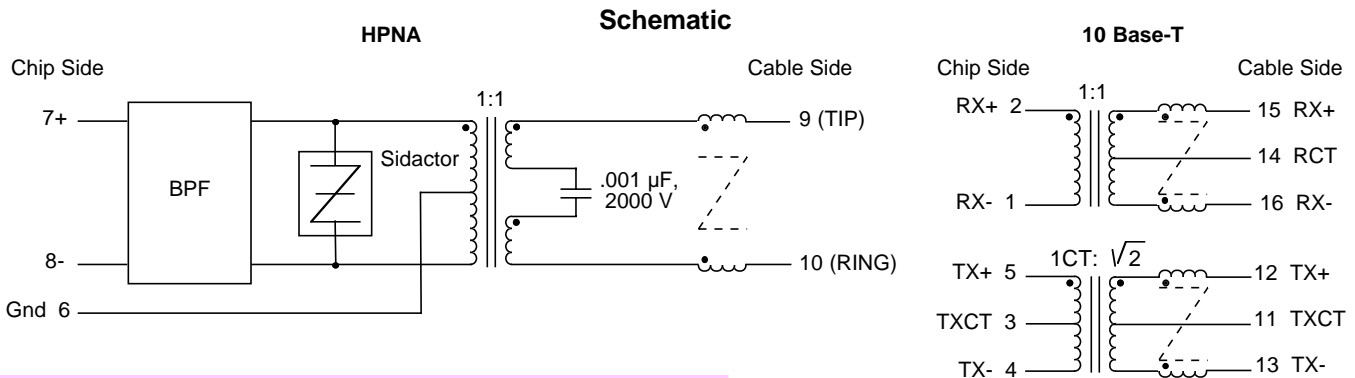


- Optimized For AMD79C978 ,Conexant CN7221 •  
& National DP83851 Chips
- UL/IEC 950 Approved File #132261 •
- Supports TUT Systems HPN Architecture •
- Meets or exceeds IEEE 802.3 Requirements •
- Robust construction allows for reflow processes •
- Temperature Range -40°C to +85°C •

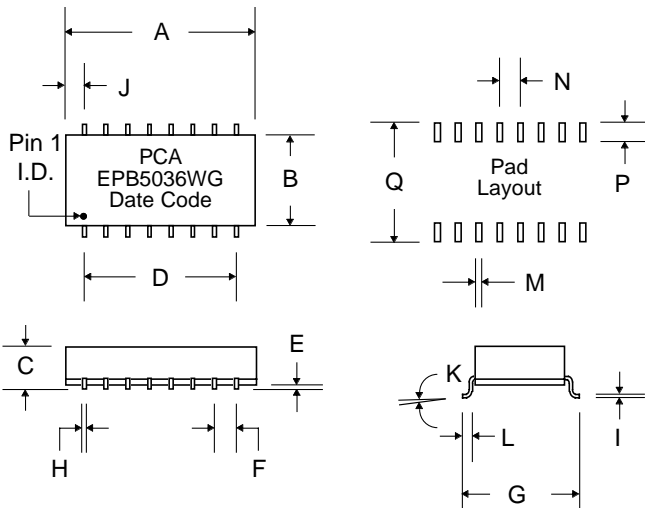
### Electrical Parameters @ 25° C

Cut-off Frequency		Insertion Loss (dB Max.)	Return Loss (dB Min.)	Attenuation (dB Min.)	
Lower Band MHz	Upper Band MHz			@ 1 MHz	@ 27 MHz
4.0-5.8	9-11	6.0-9.0 MHz	6.0-9.0 MHz	-60	-55
		-3	-12		

- Filter Characteristic Impedance : 100 Ω • Isolation : 1500 Vrms •



### Package



### Dimensions

Dim.	(Inches)			(Millimeters)		
	Min.	Max.	Nom.	Min.	Max.	Nom.
A	.990	1.01	1.00	25.15	25.65	25.40
B	.470	.490	.480	11.94	12.45	12.19
C	.250	.270	.260	6.35	6.86	6.60
D	---	---	.700	---	---	17.78
E	.010	.015	.012	.254	.381	.305
F	---	---	.100	---	---	2.54
G	.720	.740	.730	18.29	18.80	18.54
H	.016	.022	.018	.406	.559	.457
I	.008	.012	.010	.203	.305	.254
J	---	---	.150	---	---	3.81
K	0°	8°	4°	0°	8°	4°
L	.025	.045	.035	.635	1.14	.889
M	---	---	.050	---	---	1.27
N	---	---	.100	---	---	2.54
P	---	---	.090	---	---	2.29
Q	---	---	.760	---	---	19.30